



Reagents

Faecal Immunochemical Test (FIT)



OC-SENSOR FIT Latex Reagent
OC-SENSOR FIT Buffer



OC-FIT Control LV1
OC-FIT Control LV2
OC-FIT Control LV3
OC-FIT Calibrator

Faecal Calprotectin Test (FCa)



OC-FCa Reagent



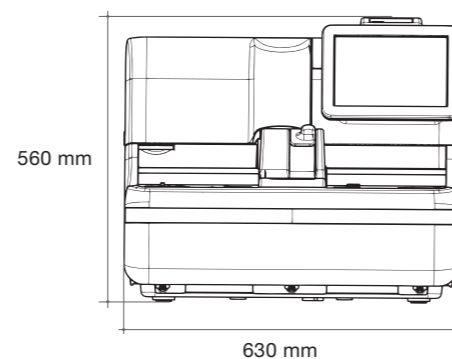
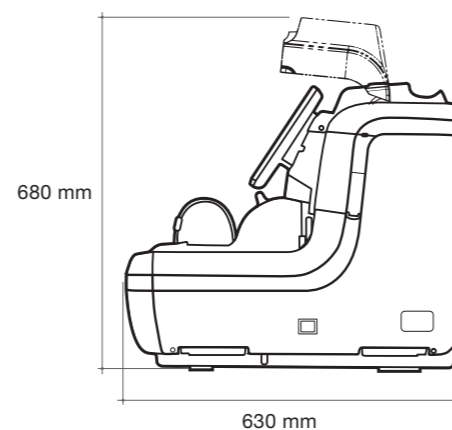
OC-FCa Control LV1
OC-FCa Control LV2
OC-FCa Control LV3
OC-FCa Calibrator

All reagents are ready-to-use.
OC-SENSOR Sample Diluent is also available.

Specifications

Product Name	OC-SENSOR PLEDIA
Principle	Latex agglutination immunoturbidimetry
Throughput	320 tests/hour
Sample Loading Capacity	10-sample rack × 20 *200-sample rack-tray (optional)
STAT Sample	Up to 10 samples simultaneously
Sample Dilution	15 times and 250 times
Reaction Cuvette	Semi-disposable acrylic cuvette (11 serial cells × 5 cuvettes) Automatic cuvette cleaning with wash solution and purified water
Sampling System	Drawn up by sample nozzle (Liquid surface detection, automatic cleaning with wash solution and purified water)
Reagent Dispense	Drawn up by reagent nozzle (Liquid surface detection, automatic cleaning with purified water)
Mixing System	By spinning mixer (automatic cleaning with wash solution and purified water)
Thermostatic System	Reaction wheel: air bath block heater, Reagent housing: block heater
Light Source	LED (wavelength 660 nm)
Light Detector	Photodiode
Data Input	Color LCD touch panel (10.5 inches)
Memory Capacity	100,000 test results
Data Output	Built-in thermal printer, RS-232C, USB
Barcodes	Rack barcode, sample barcode, reagent barcode, two-dimensional barcode (optional)
Dimensions	W630mm × D630mm × H560mm
Weight	58kg
Power Required	AC100-240V 50/60Hz, 500VA
Applicable standards and laws	The PMDA Act, CE, TGA, TFDA

Dimensions



Please use this product after reading the Operation Manual carefully.



Scan to learn more about
OC-SENSOR PLEDIA

EIKEN CHEMICAL CO.,LTD.
4-19-9 Taito, Taito-ku, Tokyo, Japan

Advena Ltd.
Tower Business Centre, 2nd Fl., Tower Street,
Swatar, BKR 4013 Malta



3074 CIB05
August 2022

OC-SENSOR PLEDIA

Faecal Immunochemical Test (FIT)
Faecal Calprotectin Test (FCa)



EIKEN CHEMICAL CO.,LTD.

FEATURES & PERFORMANCE

High Throughput Sampling

Improved processing speed,
increased sampling loading capacity



Throughput

Capable of analysing 320 tests per hour.



Set reagents

With the number of reagent slots increased from two to three, PLEDIA is more efficient for high throughput population screening.



Onboard sample capacity

Up to 200 samples can be loaded at a time. Operation with a tray is also available. *The tray system is optional.



Sample rack detection sensor

Analysis starts automatically when the sample rack is set.

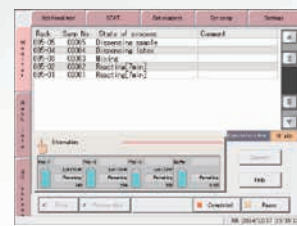
Advanced Usability

Improved screen operability



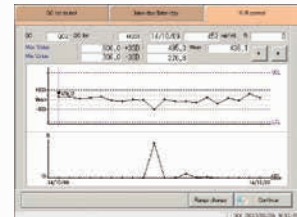
User-friendly touch panel

10.5 inch LCD touch panel. The adjustable display angle improves visibility.



Real-time information

Real-time information is available, including information on reagents and sample processing time.



Quality control function

X-R control screen, CV auto calculation, etc. Massive QC function is available.

Random Access

Multiple Items Ordering

Bidirectional communication between PLEDIA and the host allows for multi-item order processing in each sample.



Fully Automated System

Full automation

Equipped with the capability for automatic startup, start, and one-touch shut down.



Automatic identification of measurement modes

Barcodes on racks enable the measurement mode to be identified automatically.

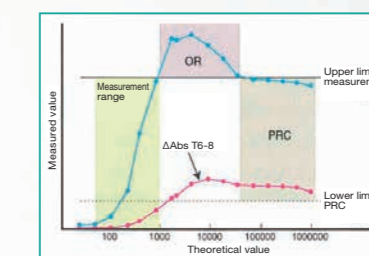


After completing an analysis

Retest racks enable simple re-testing. With a dilute rack, 15-times and/or 250-times dilution (s) is automatically performed.



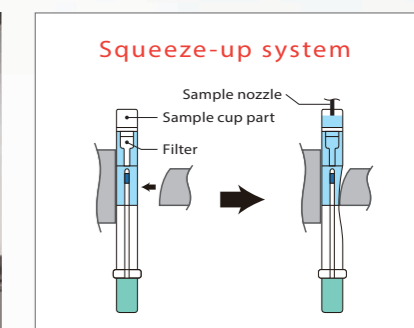
Prozone recognition



If the Δ Abs at the T6-8 photometric point of samples under the upper limit of measurement is above the lower limit of the PRC, the sample is recognized as within the prozone (PRC region).

Prozone of highly-concentrated samples is checked through the Primary Rate Check (PRC) method.

Squeeze-up system



As sampling bottle is squeezed, samples are filtered into the sample cup part, and then drawn by the sample nozzle.